

GOLD FORT

Operation Manual



2016



WARNING

Be sure read this Operation Manual before using your machine to ensure safe operation .

CONTENTS

1. Specifications and Parameter.....	1.
2. Checking the Package Contents.....	2.
3. Location, Installation and Moving.....	3.
4. Connecting the power cord and ground.....	5.
5. Overall construction (Components and their names).....	6.
6. How to play.....	10.
7. Adjustment	11.
8. Operation Manual	12.
9. Attached drawing.....	13.
10. I/O Chart	
11. Produce Licence (Copy)	

1. Specifications

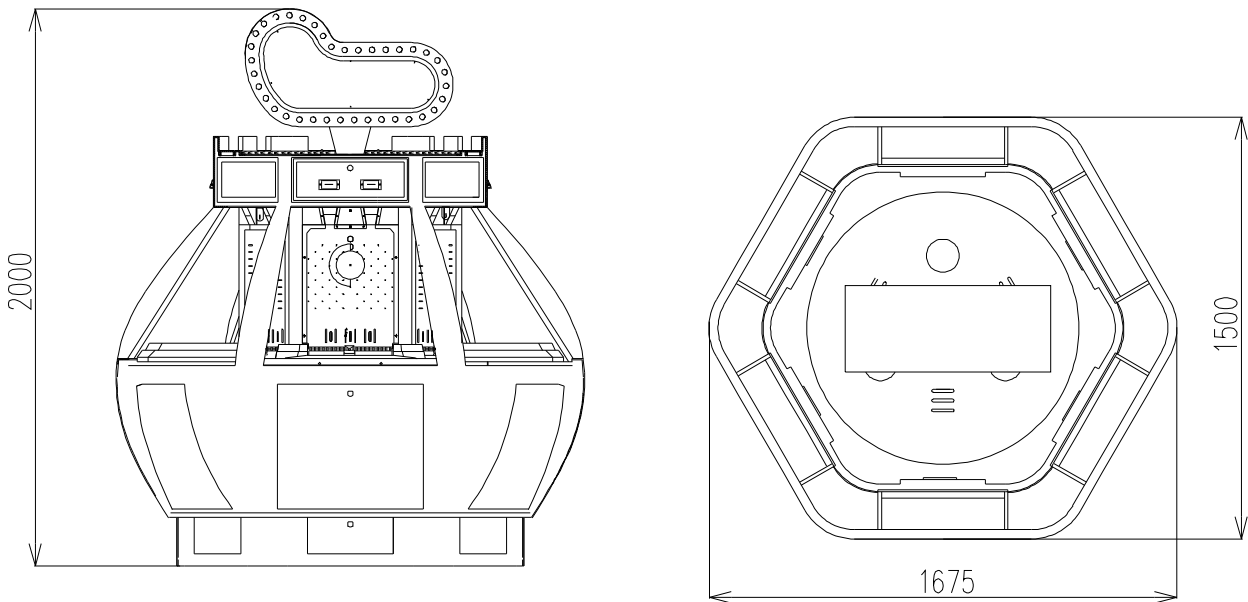
(1) Rated power supply :AC 220v- 110V \pm 5% 60Hz;

(2) Power Consumption :Min power consumption : 480W;

:Max power consumption : 1000W;

(3) Dimensions :W1675 \times D1500 \times H2000 (mm);

(4) Weight : About 200kg;




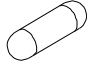

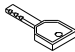
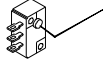
Note: We will not inform the changing of the parameter in the upon else.

2. Checking the package contents

When packed and shipped this machine consists of the following:

(1)Body Assy: 1 unit

(2)Accessories:

No.	Component	Specification	Qty	Illustration	Note
1	Power wire	1. 5m	1		
2	Fuse	φ 5-20mm	1		6A For 220V
3	Operation manual		1		
4	Keys	6086	1		
		6083	1		
5	Micro SW		3		
6					
7					
8					

3. Location、 Installation and Moving

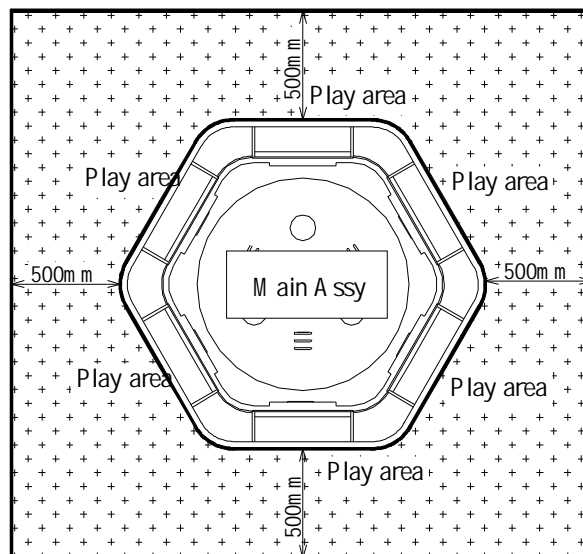
3-1. Play zone as installed

! WARNING

- This is an indoor machine but not a outdoor, so don't put it outside.

3-2.Scope for Location:

Set a play zone as illustrated in the figure below to prevent customers leaving this machine from getting into contact with observers and passers-by



3-3. Locations to avoid installing:

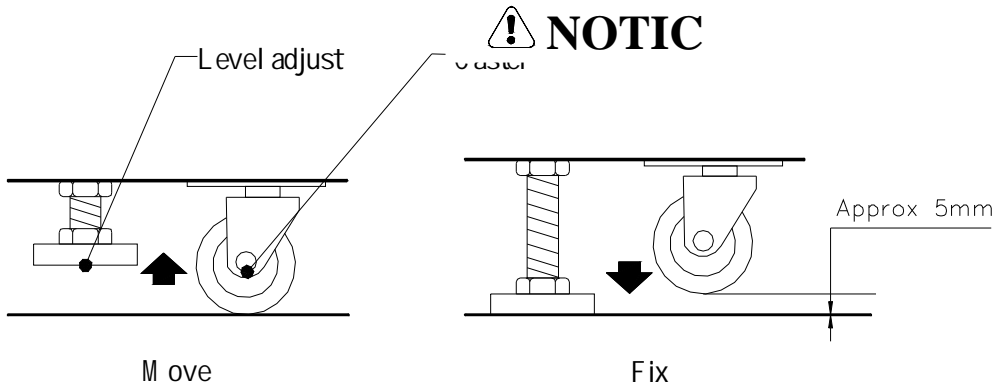
! WARNING

This machine is designed for indoor use. Never install this machine outdoors or at any of the following:

- Locations exposed to direct sunlight.
- Locations subjected to rain or water leakage.
- Damp、 dust or hot places.
- Close to a heating instrument.
- Shaking place.

3-4. Fixation for the machine.

Install this machine at a plane position, Adjust the high of the four level adjustors, lower them until the casters are about 5mm from floor level (so as to rotate freely).

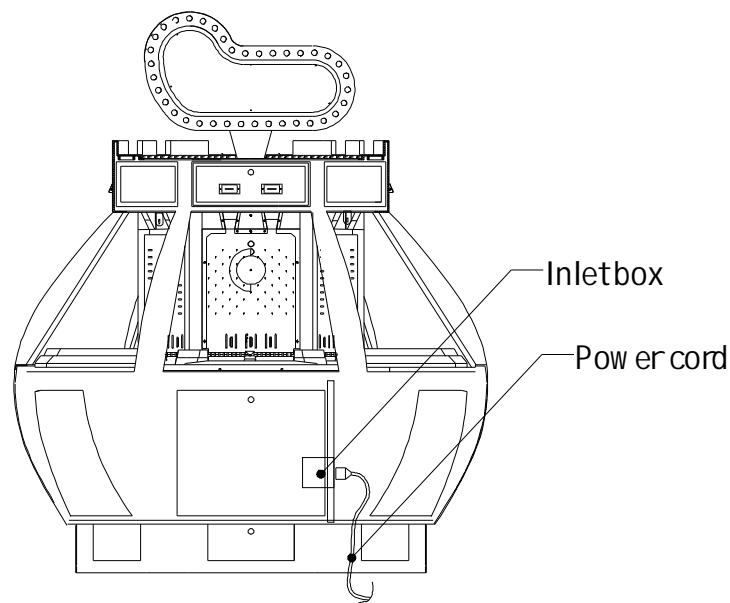


- Turn off the power and unplug the power plug before moving the machine.
- If the caster can't run in moving, please replace it.
- The unbending moving, turnover and transport will attain the machine.
- Ensure the use the right way while moving, turning over and transport.

4. Connecting the power cord and the grounding

4-1. The underside connection:

If the room is used the wire layout in the floor, then connect to the underside socket, the detail explain as the following Fig



WARNING

- Do not put any heavy things on the cord, or it will attain the power cord then case a fire an electric shock or leakage.
- To pull out the power plug, do not pull the cord. Always hold the power plug to pull it out.
- Do not touch the power plug with a wet hand to avoid electric shock.
- Do not draw and twist the cord.
- Do not place the cord near a heating device.
- Do not place the cord where the player easy to touch or kick.
- Run this machine with a right supply voltage and fuse.

5. Overall construction (Components and their names)

5-1. The Outlook

1. Rotating Signboard Assy

2. Insert coin.

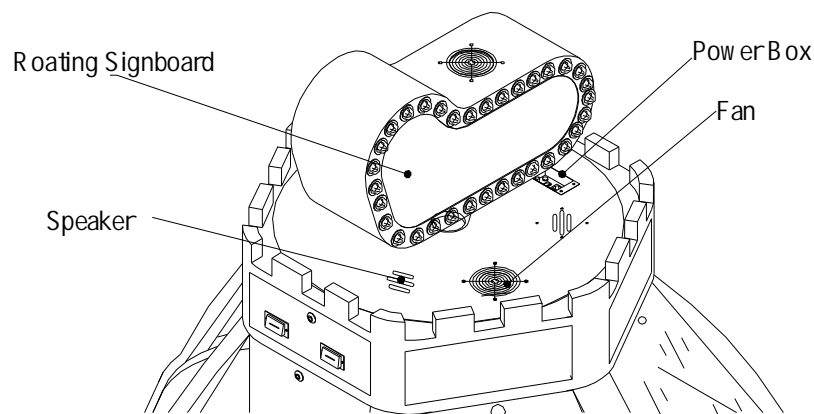
3. Play field

4. Push board

5. Outing ticket

6. Coin box

5-2. Rotating Signboard Assy:



1) .Rotating signboard: It is act as a adornment.

2) .Speaker: Pay out the play music.

3) .Fan: Use to dispel the heat.

4) .Power Box:

① .This machine's supply voltage is "220V ± 5% 50Hz".

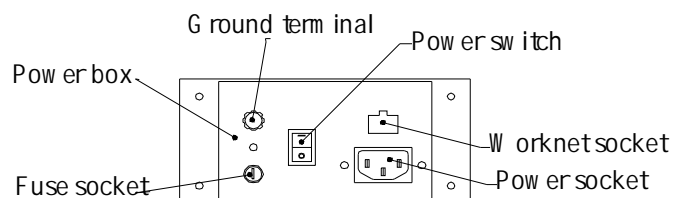
② .The fuse's specification is "220V 6A" φ 5-20mm.

③ .Power switch, Turn on it to supply power.

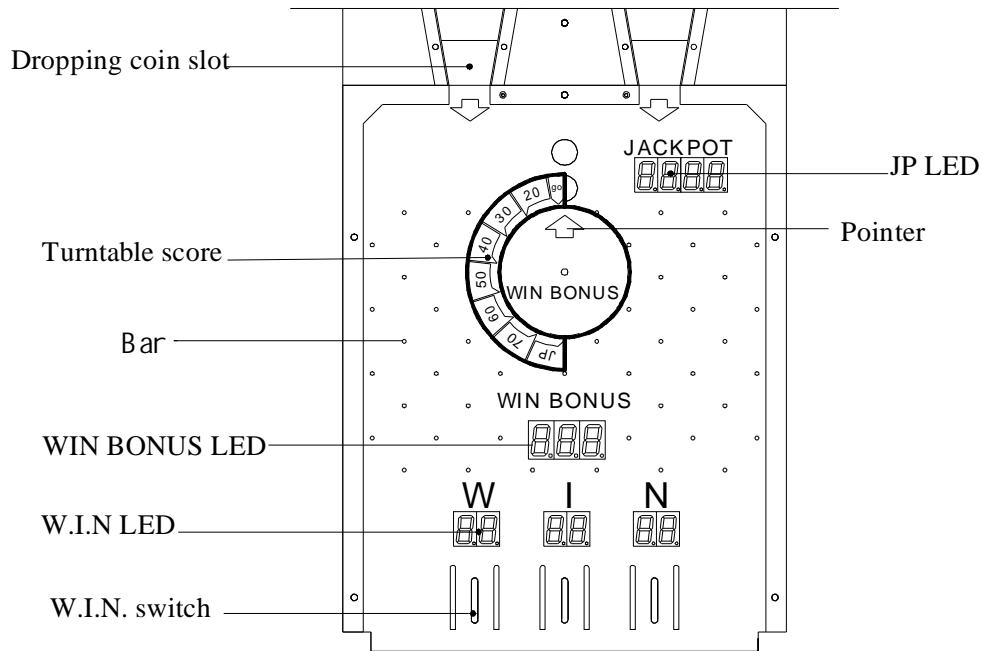
④ .Ground terminal: Use to connect the ground cord.

⑤ .Network

socket: Use to
connect the
machine.

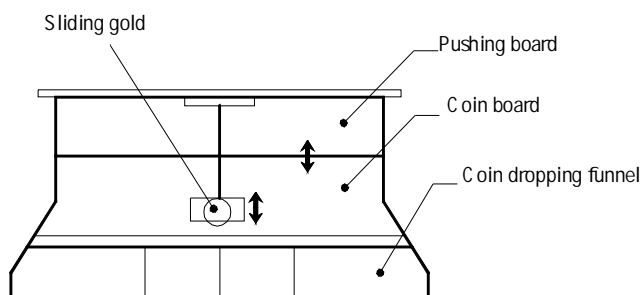


5-3. Play field



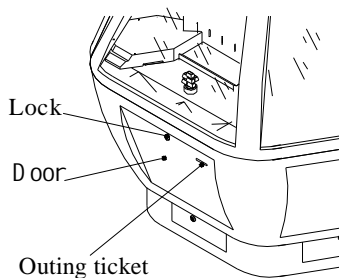
- 1). **Dropping Coin slot:** The coin enters the play field through here.
- 2). **JACKPOT LED:** Display the JP score.
- 3). **Turntable score:** Show the score in very area.
- 4). **Pointer:** Indicate which area score in the game.
- 5). **Bar:** Slowdown the dropping coin.
- 6). **WIN BONUS LED:** Display the score of WIN BONUS prize.
- 7). **WIN LED:** Display a score when the coin touch a letter of W.I.N switch.
- 8). **Letter switch:** If the coin touches it, will get score that the W.I.N LED showed.

5-4. Coin push board:



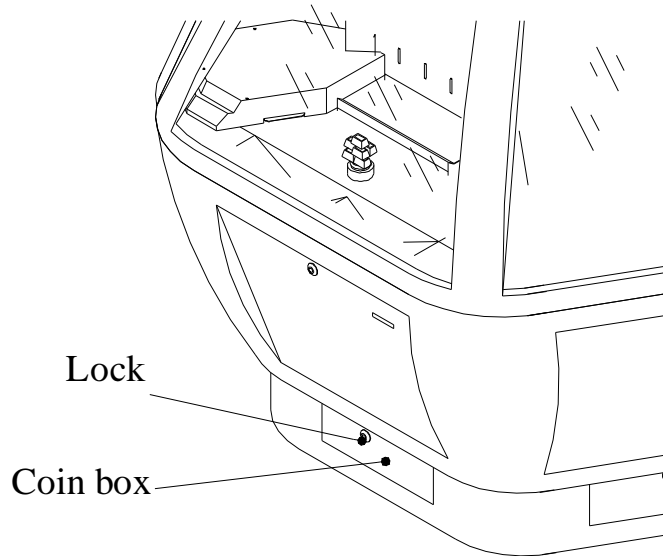
- 1) **Pushing board:** Power on, this part will move back and forth to push out the coin.
- 2) **Coin board:** Locat the coins.
- 3) **Dropping coin funnel:** The coin witch were pushed out,
- 4) **Sliding gold:** The coins push this sliding gold move to draw the turntable rotate.

5-6. Outing door:



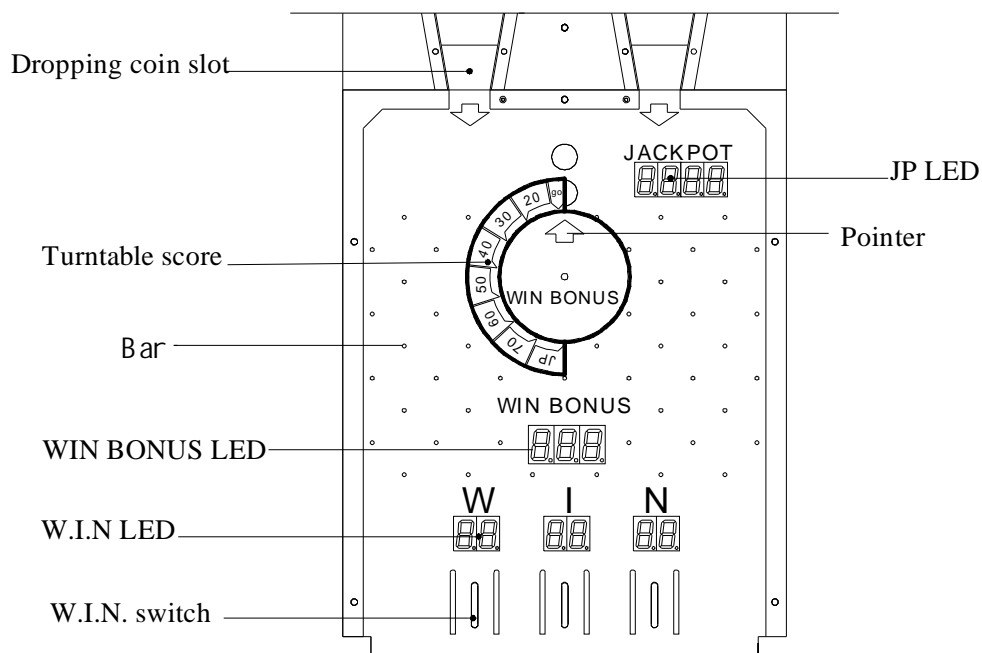
- 1) **Lock:** Lock 6086.
- 2) **Door:** Open it to install tickets、servicing and check up the machine.
- 3) **Outing ticket:** the ticket prize will be paid out from it.

5-6. Coin box:



- 1) Lock: Lock 6083.
- 2) Coin box: Carry coins.

6. HOW TO PLAY



1. Insert coins trying to push gold bar forward to move turntable

towards jackpot.

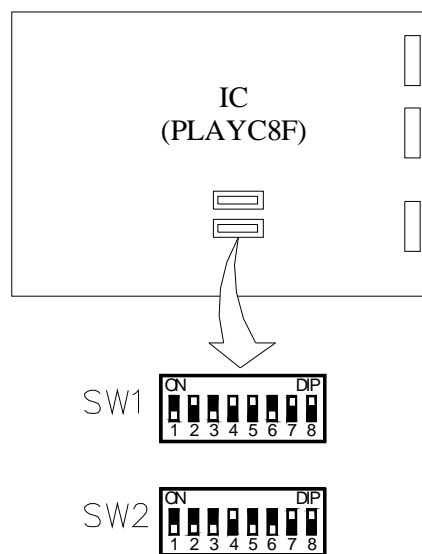
2. Lighting the letter W.I.N wins value that the bonus LED displayed.
3. Lighting each letter wins it's own value.
4. Coin in win-the 2nd time turns light off letter.

1. Adjustment

7.1 The parameter

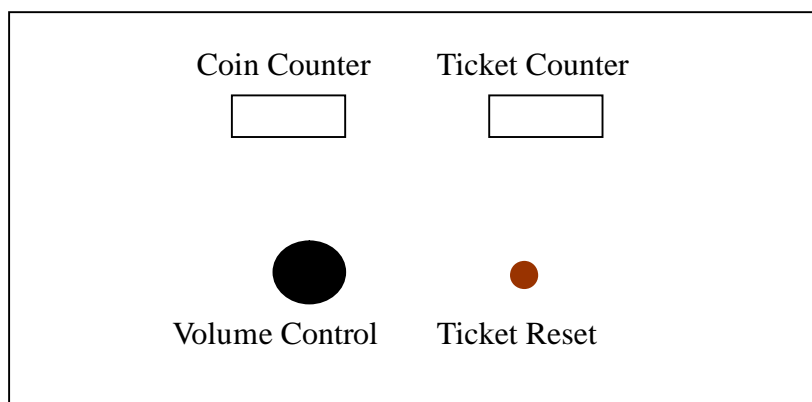
- ① **W.I.N letter score:** Adjust the score when win the letter prize. It is controlled by SW11~SW12.
 - ② **JP+?** : Adjust that whether increases the score of JP in pace with adding of the number of inserting coin. The mean of JP+1 is when 0you insert coin every time, then the score of JP increase 1. The mean of JP+0 is that the score of JP don't increase, it is regular. It is controlled by SW13.
 - ③ **JP Value:** Adjust the score of JP, it controlled by SW14~SW16.
 - ④ **The lowest tickets:** Adjust that whether pay out the lowest tickets when the player did not get any score by inserting coin. It is controlled by SW 17~SW18.
 - ⑤ **Tickets/coin:** Adjust that insert one coin then pay out how many tickets. It is regular. It is controlled by SW21 ~SW24.
 - ⑥ **Tickets/ dropping coin:** Adjust that drop one coin then pay out how many tickets. It is controlled by SW25~SW27.
 - ⑦ **The score of turntable:** Adjust the score of each area on the turntable. It controlled by SW28.
- ※ To adjust the parameter、 to know the more please refer the I/O chart and the main board figure.
Note: The initial setting in capitalization.

7.2 The DIP



! We do not inform the change of the mention in above!

7.3 The test button

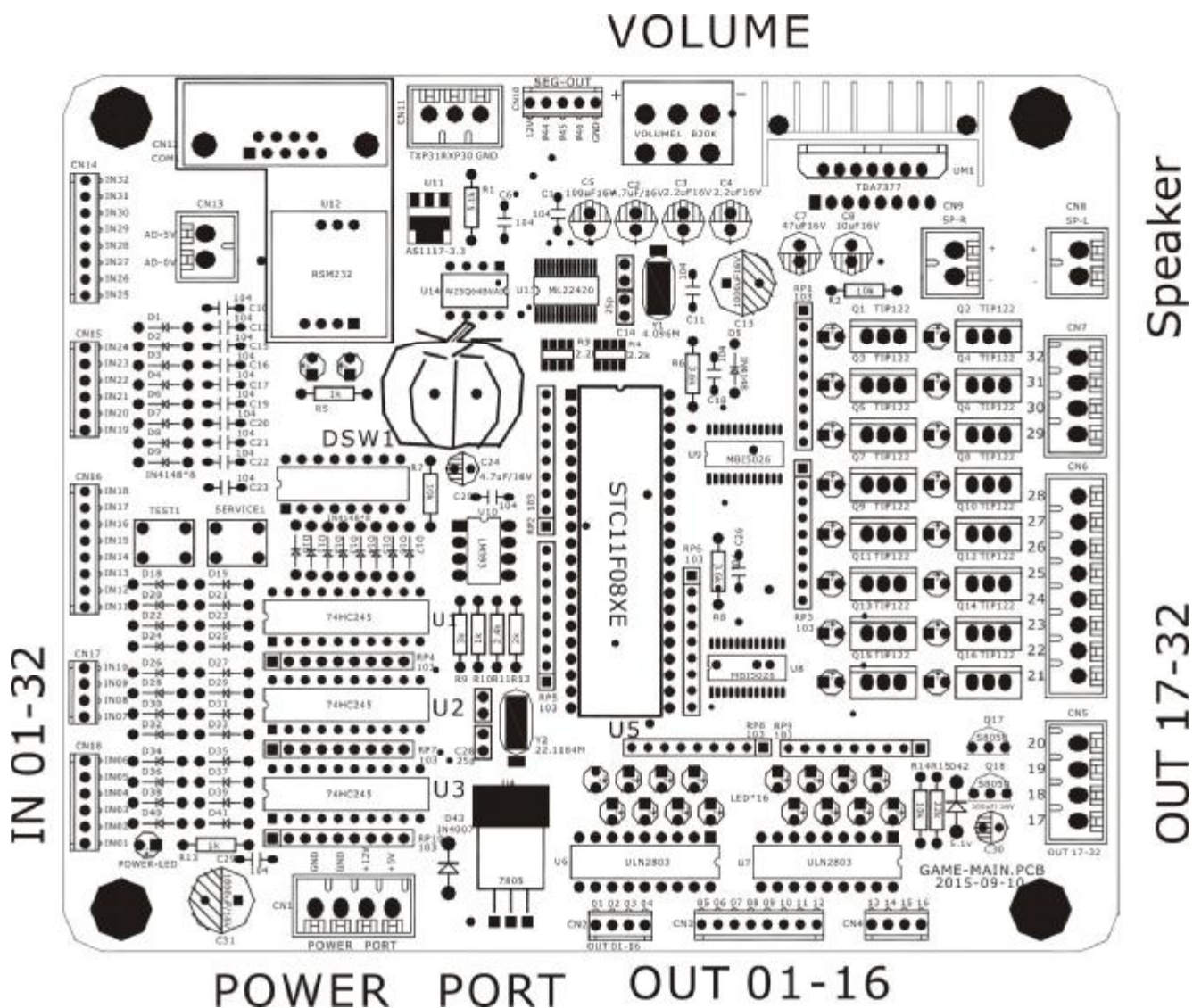


- 1. Coin counter: It recorded the coins that player inserted.**
- 2. Ticket counter: It recorded the tickets that the machine had payout.**

3. **Volume Control:** Control the volume of the play music.
4. **Ticket Reset:** If the game experiences a ticket jam the game will hold the value of tickets owed and display them in the Bonus window, After the jam is cleared and the reset button is pressed the game will resume the ticket payout.

The plane figure of main-board

2. Operation manual



8-1.Install and test

- ①. Be sure to check that you have received all packages as the Accessories chart before installing the machine.
- ②. Install this machine at a smooth position and adjust the level adjustor and fix to the floor.
- ③. Power on the machine when complete installation, please check the function of each part of the machine before service, if any trouble is found, take appropriate actions to settle is first.

8-2.Maintenance and inspections

- 1.Run and check the machine before beginning service in very day.
- 2.Wipe off dirt gently with a soft cloth.
- 3.The new machine should be check the function of each part when be used over one month.
4. Often to check the machine.

 WARNING

- Make sure that the power switch is OFF when servicing the machine.
- Choose the appropriate fittings to replace the wrong part.
- Do not remodel this machine without permission Do not carry out any task not covered in this Operation Manual. Unauthorized remodeling may result in an unexpected risk.
- Do not put things on or damage power cords to avoid causing a fire or electric shock.

9. Attach drawing

9-1. The outside part

NO	Name	Qty	Specification	Note
1	Up Fiberglass cover	1		
2	Coin chute tower	12		
3	Upper door plate	6		
4	Upper door lock	6		
5	Upper door	6		
6	Upper door fix bar	6		
7	False coin funnel	6		
8	Lock fixer	6		
9	Glass door lock	6		
10	Glass door	6		
11	Glass fix bar	6		
12	Rack board	6		
13	Fiberglass pedestal	1		
14	Door lock (Down)	6		
15	Door plate (down)	6		
16	Counter	6		
17	Chain bolt	6		
18	Junction	12		
19	Ticket counter	6		
20	Ticket box	6		
21	Level adjustor	6		
22	Caster fixer	6		
23	Caster	6	2"	
24	Lamp box	6		

9-2. Signboard element

NO	Name	Qty	Specification	Note
----	------	-----	---------------	------

NO	Name	Qty	Specification	Note
1	PCB Bracket	6		
2	LED lamp Bracket	6		
3	Blub	36		
4	LED	6		
5	LED bracket	6		
6	Direct lamp	12		
7	Direct lamp base	12		
8	Bracket	1		
9	Sensor bracket	6		
10	Coin door	12		
11	Space board	6		
12	Main plate cover	6		
13	Turntable Assy	6		
14	Wheel Assy	6		
15	Main plant	6		
16	Rope wheel	6		
17	Micro-SW	18		
18	Side protector	6		
19	Block coin pole	6		
20	Litter signboard plate	6		
21	Ring light	6		
22	Base board	6		
23	Little Lamp box bracket	6		
24	Spring	12		
25	Eat coin adjustor	12		
26	Gold stack	6		
27	Pushing base	6		
28	Cover board	12		
29	Eat coin funnel	6		
30	Coin block pole	6		
31	Sliding track bracket	6		
32	Sliding track	6		
33	Sliding track base	6		
34	Capacitance base	1		
35	Dropping coin funnel	6		
36	Base board	1		
37	Pushing coin component	1		
38	String Ferrule	2		

39	Sliding track	12		
40	Sliding track bracket	12		

9-3-1. Turntable、Gold stack part

NO	Name	Qty	Specification	Note
1	Turntable plate	1		
2	Turntable area score	1		
3	String axle	1		
4	Bearing	2	6002-2Z	
5	String wheel	1		
6	Sensor board	1		
7	Washer	2	Φ 15	
8	Retractor	1	MD-7, 220V, 50Hz	
9	Spring base 1	1		
10	Spring	1		
11	Spring base 2	1		
12	Spring bracket	1		
13	Drawing string	1	Φ 0.8	
14	Turntable bracket	1		
15	Bearing	1	6005-2Z	
16	String wheel base	1		
17	Washer	1	Φ 25	
18	String wheel 2	1		
19	Drawing string	1	Φ 0.8	
20	Gold stack base	1		
21	Wheel	1		
22	Bearing	1	D=10,d=3,B=4	
23	Drawing string	1	Φ 0.8	
24	Gold stack	1		
25	Gold stack base	1		
26	Moving ASSY base	1		
27	Slip-proof ring	1		
28	Moving bar	1		

9-4. Bottom bracket Part

NO	Name	Qty	Specification	Note
1	PC Board 1	1		
2	Supporting board 1	1		
3	Track (up)	2		
4	Track (down)	2		
5	PC Board 2	1		
6	Supporting board 1	1		
7	Power box	1		
8	Bracket	2		
9	Shockproof	2		
10	Shockproof	2		
11	Fix bracket	2		
12	Eat coin funnel	6		
13	Coin counter funnel 1	6		
14	Ticket counter	6		
15	Coin counter bracket	6		
16	Coin counter funnel 2	6		
17	Coin box	6		
18	Coin boor box	6		
19	Coin box bracket	6		
20	Base board 1	1		
21	Base board 2	1		
22	Transformer	3		
23	Power box	6		

9-4-1. Circuit、 Main board part

NO	Name	Qty	Specification	Note
1	PC board1	1		
2	Main board	2	PLAY08F	
3	PC board 2	1		
4	Main board	1		
5	Music board	1	SOUND03H	
6	Supporting board	1		
7	Music board	2	SOUND03H	